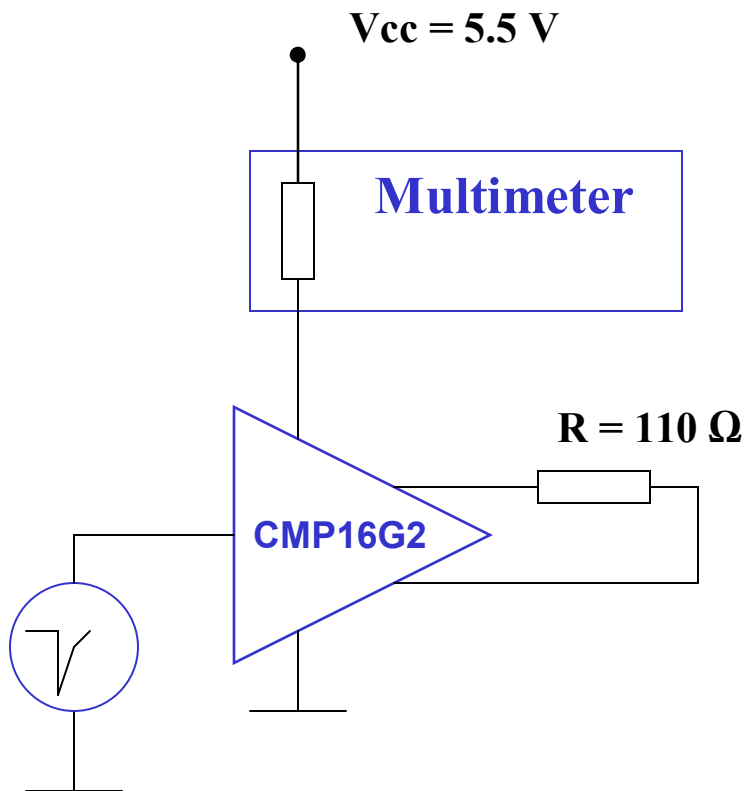
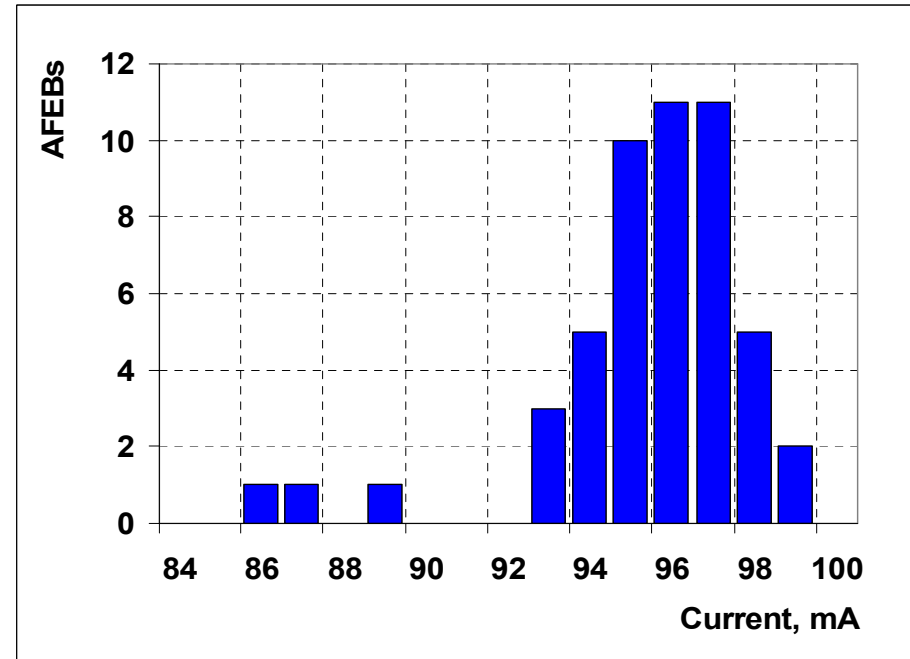


AFEB Current Consumption Measurements

Test Bench



Current Consumption



Number = 50 AFEBs

Average = 95.44 mA

RMS = 2.56 mA

Systematic error = $\pm 10 \text{ mA}$